

# Junior 77 Inclined Hoist

Böcker



# Junior 77 Inclined Material Hoist

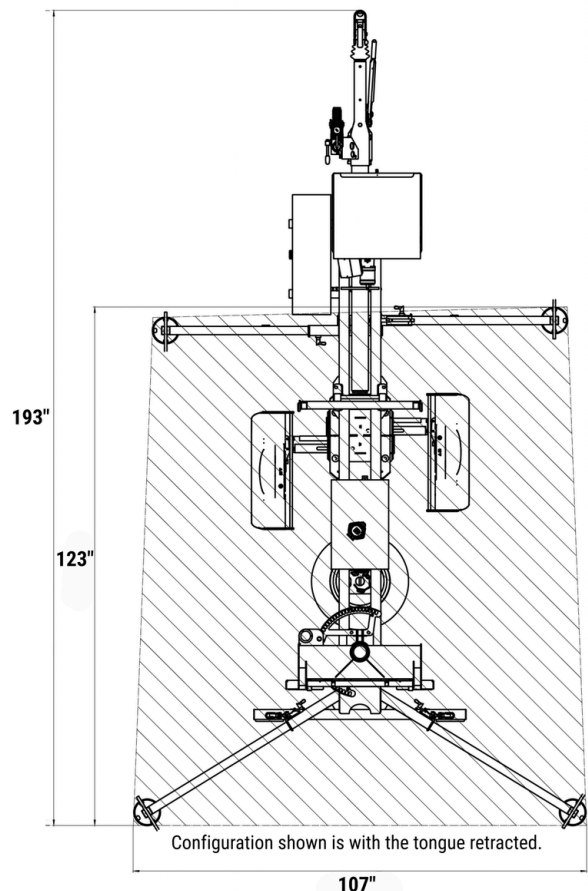
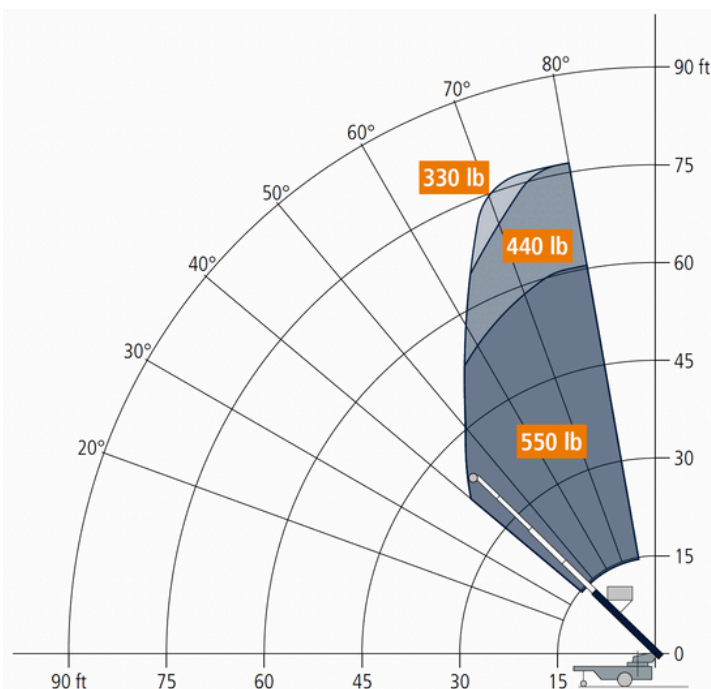
↑ 77 ft Max Mast Extension  550 lb Max Load Capacity  157 ft/min Hoisting Speed

## Technical Data:

- Trailer-mounted and towable by most vehicle with a low gross vehicle weight of just 3,087 lbs
- Adjustable axles for easy access through gates and doorways
- Retractable towbar reduces overall length for maneuvering in tight spaces
- Compact chassis with a small footprint, making it ideal for difficult to access job sites
- Quick and easy setup by a single operator
- User-friendly controls for simple operation
- Low-maintenance design for effortless upkeep
- Powered by a Honda GX390 gas engine
- Optional electric motor enables both indoor and outdoor operation
- Built to last with high-quality materials and renowned German engineering
- Multiple hoisting platform options available, including horizontal, universal, combination bucket, and solar platforms



## Diagrams:



# Inclined Hoist Attachments

## Horizontal Platform:

Spacious, flat platform with foldable side walls for easy loading. Platform can be rotated and extended toward the roof, allowing for safer and easier unloading. Available in standard or premium.



## Universal Platform:

General purpose platform with hinged sides for transport of long materials.



## Combination Bucket:

Designed for easy handling of loose materials or debris. Bucket automatically tips at the top of the rail to unload its contents.



## Solar Platform:

Platform specifically designed for hoisting solar panels, featuring a clamp and rubber pads to protect the panels from damage.





**ÉQUIPEMENTS  
CAM-EXPERT**

Distributeur Canadien Böcker



***Trailer-Mounted Material Hoists Ranging from 50 - 119 ft***



MADE IN GERMANY

**Sales in Eastern Canada: Équipements Cam-Expert**

**(450) 816-1100**

**[equipments@cam-expert.ca](mailto:equipments@cam-expert.ca)**

**[www.cam-expert.ca](http://www.cam-expert.ca)**

*Équipements Cam-Expert is the Canadian distributor for:*

**Böcker Maschinenwerke GmbH** Lippestr. 69-73 DE-59368 Werne, Germany

[www.boecker.de/en](http://www.boecker.de/en)

**Böcker**  
MY WAY TO THE TOP